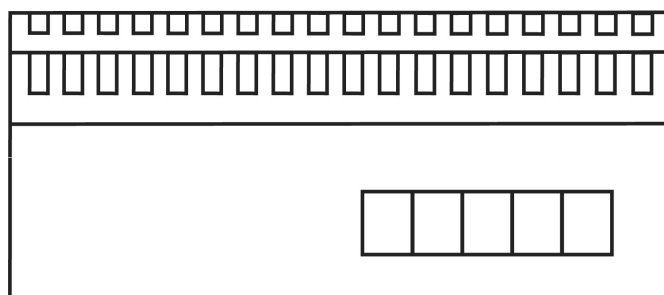


Installation and operation manual



Z60DV - Z60DT - Z600F

INFINITE PLAY

DESCRIPTION

- Type Z60DV is a floor distributor unit for video door phone INFINITEPLAY.
- Type Z60DT is a distributor unit for entrance panel and concierge station INFINITEPLAY.
- Type Z600F is a firewall to allow you to connect InfinitePlay system to the internet in individual apartments.

TECHNICAL CHARACTERISTICS

- Supply Voltage: 100V - 240VAC, 50-60 Hz, 1,8A
- Operating temperature: 0 ° C to +45 ° C
- Polymer housing: ABS V0
- Size: 208x89x60 mm
- Relay Ratings: Max 30VDC - 2A. Non to be used with AC Voltages
- Inputs: Open Collector (Internal Pull-Up)
- Lock Output: 12V @ 1A
- PoE Outputs: IEEE 802.3af Max 12W per port

MANDATORY INSTALLATION REQUIREMENTS ART. Z6001

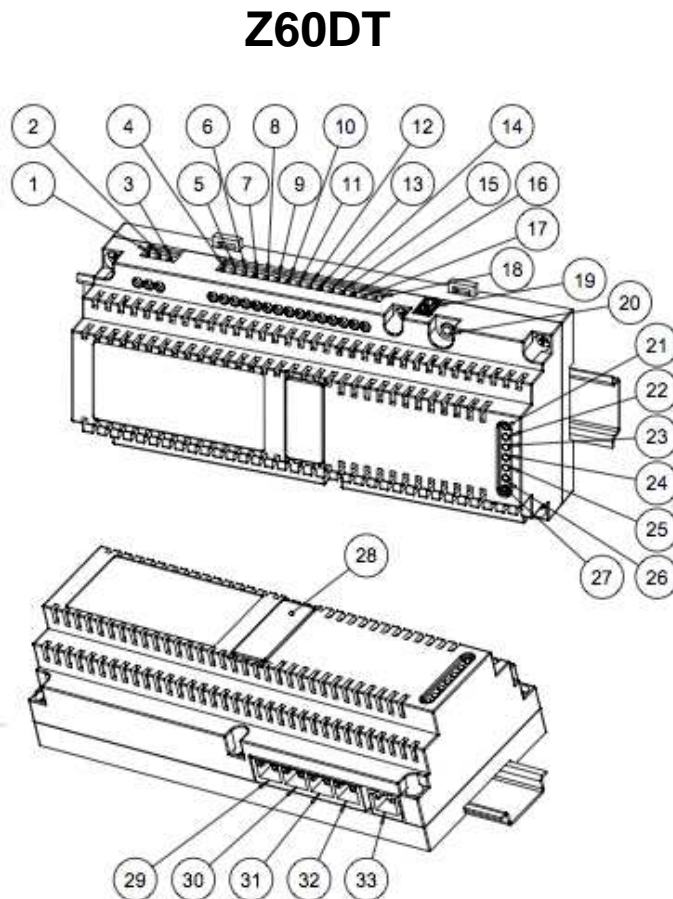
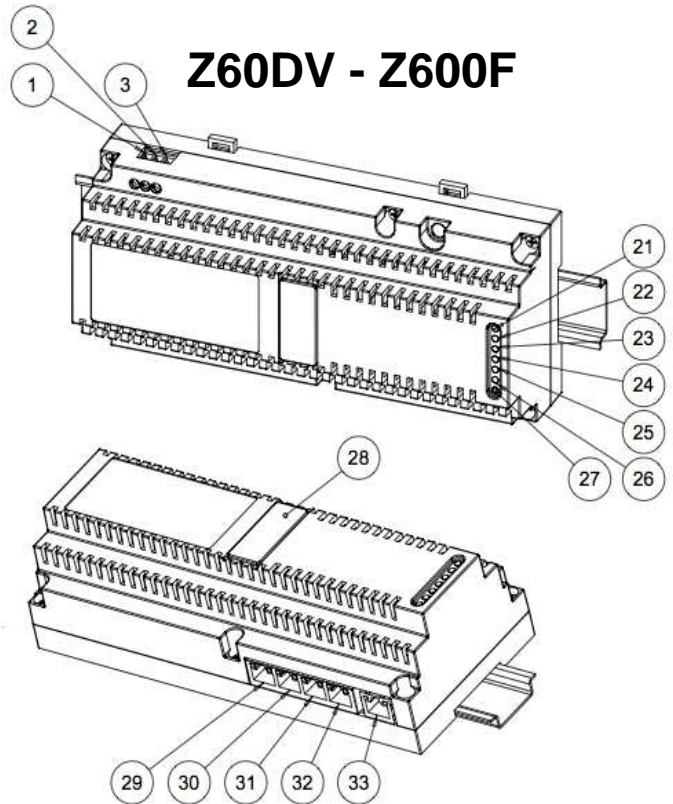
- *Equipment intended for installation in Restricted Access Location performed by specialist technical staff only.*
- The installation must comply with National Electrical Code (NEC) (NFPA 70) and other country national electrical codes.
- A readily accessible disconnect device shall be incorporated in the building installation wiring.
- A readily accessible listed branch-circuit over current protective device rated 15A must be incorporated in the building wiring for each power input.

- Main power cables (terminal blocks 1-2-3) must be within 12 to 14 AWG.
- Interconnecting cables used must be UL certified and must be compliant with the CEI 64/8 for video door entry systems:
- UTP CAT 5e for domestic routes dedicated to video door-phone system
- FTP CAT 5e shared routes with tension cables
- UTP CAT 5e for outside with protective sheath in PVC
- All cables must be LSZH for Low Smoke Zero Halogen

-Mounting: this device can be mounted on DIN rail cabinets equipped (12 DIN space modules)

- *First to programming read the instructions carefully to get the full picture on the features, functions and performance.*

TERMINAL BLOCKS	LABEL	DESCRIPTION	RATINGS
1	N	AC NEUTRAL	100-240VAC, 50-60Hz, 1,8Amps
2	-	EARTH	
3	L	AC PHASE	100-240VAC, 50-60Hz, 1,8Amps
4	IN1	INPUT 1	Open Collector Input (Internal Pull-Up)
5	IN2	INPUT 2	Open Collector Input (Internal Pull-Up)
6	IN3	INPUT 3	Open Collector Input (Internal Pull-Up)
7	IN4	INPUT 4	Open Collector Input (Internal Pull-Up)
8	GND	GND for INPUT 1-2-3-4	
9	GND	GND for INPUT 1-2-3-4	
10	AUX1	RELAY AUX1 (2A@30VDC)	Max 30VDC - 2Amps
11	C1	COMMON 1	
12	AUX2	RELAY AUX2 (2A@30VDC)	Max 30VDC - 2Amps
13	C2	COMMON 2	
14	AUX3	RELAY AUX3 (2A@30VDC)	Max 30VDC - 2Amps
15	C3	COMMON 3	
16	S-	COMMON LOCK	
17	S-	COMMON LOCK	
18	S+	12VDC 1A LOCK OUTPUT	12VDC @ 1Amp Output
19	USB	USB 2.0 PORT	Max 500mA Output
20	RS232	RS-232 PORT DIAGNOSTIC ONLY	
21	POWER	POWER INDICATION LED	
22	P1 LED	POE LED PORT 1	
23	P2 LED	POE LED PORT 2	
24	P3 LED	POE LED PORT 3	
25	P4 LED	POE LED PORT 4	
26	P5 LED	POE LED PORT 5	
27	STATUS	RBG STATUS LED	
28	-	EXPANSION MODULE PLUG	
29	P1	PORT 1 10/100Mbps	PoE Output IEEE 802.3af Max 12W
30	P2	PORT 2 10/100Mbps	PoE Output IEEE 802.3af Max 12W
31	P3	PORT 3 10/100Mbps	PoE Output IEEE 802.3af Max 12W
32	P4	PORT 4 10/100Mbps	PoE Output IEEE 802.3af Max 12W
33	P5	PORT 5 10/100Mbps	PoE Output IEEE 802.3af Max 12W



INFINITE PLAY

RJ45 PORTS DESCRIPTION FOR VIDEO DOOR ENTRY SYSTEM CONNECTION

MAIN POWER SUPPLY ART. **Z6001**

Power supply unit PoE for villa or building video door entry system

RJ45 ports:

P1-P2-P3-P4 Dedicated to connecting ENTRANCE PANEL or VIDEO DOOR PHONE

P5 is dedicated to connecting of ROUTER for INTERNET

DISTRIBUTOR ON LANDING ART. **Z60DV**

Need to distribute of VIDEO DOOR PHONE

RJ45 ports:

P1-P2-P3-P4-P5 Dedicated to the connection of VIDEO DOOR PHONE

DISTRIBUTOR ART. **Z60DT**

Need to distribute of ENTRANCE PANEL or CONCIERGE STATION

RJ45 ports:

P1-P2-P3-P4-P5 Dedicated to the connection of a ENTRANCE PANEL or CONCIERGE STATION

FIREWALL ART. **Z600F**

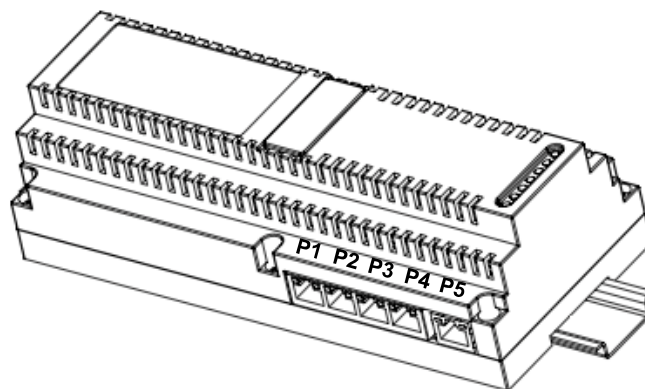
If you need to connect to the internet in one of the houses is necessary to insert an internal distributor 4 outputs FIREWALL Art.Z600F (see page 8).

RJ45 ports:

P1-P2-P3-P4 Dedicated to the connection of ENTRANCE PANEL, VIDEO DOOR PHONE and ROUTER for INTERNET

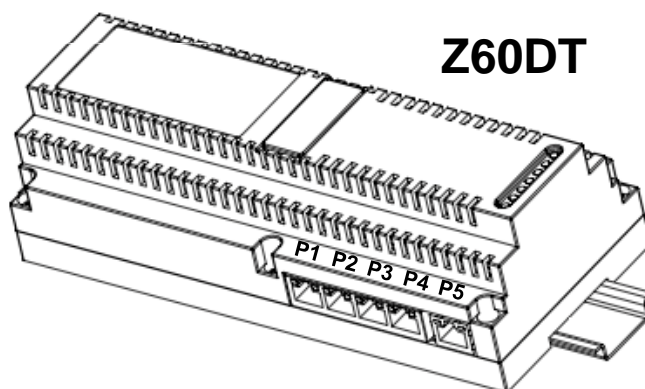
P5 Input connection to backbone

Z6001

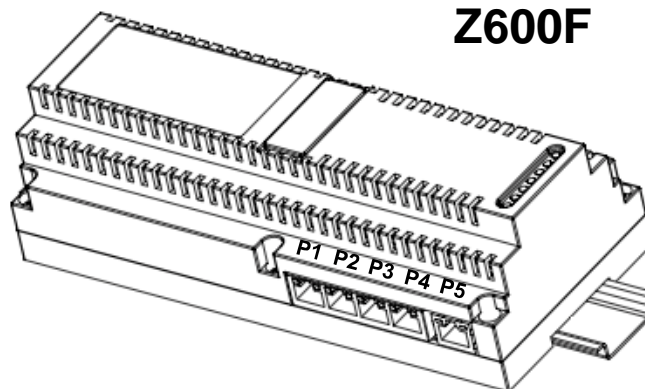


Z60DV

Z60DT



Z600F



INFINITE PLAY

MATERIAL NEEDED:

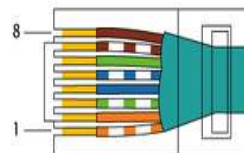
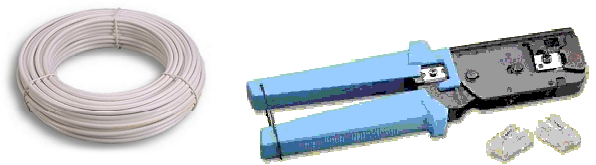
- 1 skein of CAT5 Ethernet cable UL certified
- Connectors RJ45 plug UL certified
- 1 scissor
- 1 crimping tool 8-pin
- Recommended a tester for checking LAN cables

MAKE A STRAIGHT CABLE

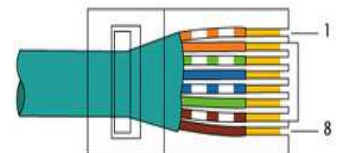
PIN	Code color T568B
1	 White orange
2	 Orange
3	 White green
4	 Blue
5	 White blue
6	 Green
7	 White brown
8	 Brown

PROCEDURE:

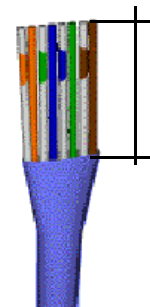
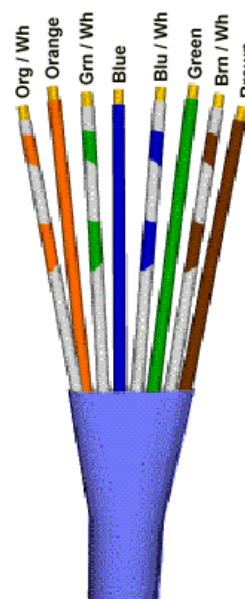
- 1) SKINNING CABLE (25-30 mm)
- 2) ORDER cable as shown and line-up , cutting the connectors with scissors at the same height (about 10mm)
- 3) INSERT THE CABLE IN CONNECTOR RJ45 as shown in figure
- 4) CRIMPING WIRE with clamp
- 5) FINAL CHECK OPERATION with tester



EIA/TIA-568B



EIA/TIA-568B



Altezza
10mm

INFINITE PLAY

3. POWER SUPPLY

A video door phone INFINITEPLAY system can contain only one server SIP Z6001 and several distributors Z60DT

IDENTIFICATION NUMBER = 0000000000

DEVICE NAME: es: Z6001 Main electrical panel

OUTPUT

FUNCTION:

To be assign one of the following functions that appear in the video intercom. If you have an "X" the function is disabled.

CODE:

You can assign an identification number to each OUTPUT activated by outdoor unit with display. code set preceded by # symbol (eg. # 123)

TIMEOUT:

The time of OUTPUT can be programmed

TIME LOCK: (from 1 to 30s) default value 1s

TIME AUX1: (from 1 to 30s) default value 1s

TIME AUX2: (from 1 to 30s) default value 1s

TIME AUX3: (from 1 to 30s) default value 1s

ENTRANCE PANEL:

Through "entrance panel" binds the selected function to one or more entrance panel present in the system.

To a call from entrance panel will be displayed one priority function.

LINK:

This parameter enables indirect opening of the lock, at the same time as the opening of the lock of another entrance panel, at the command of an interphone/monitor interphone. Indirect opening can be associated with different entrance panels.

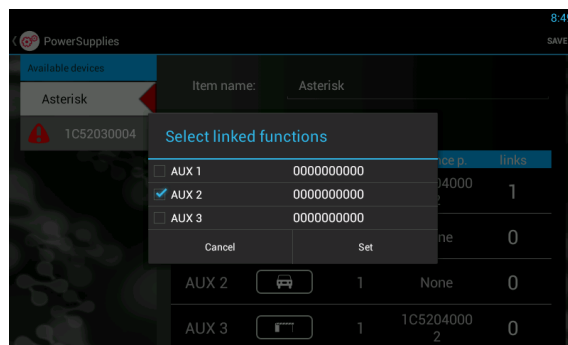
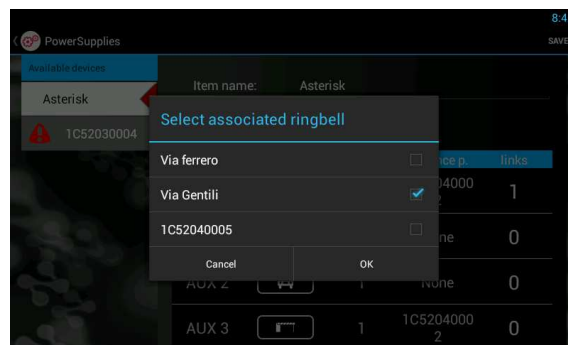
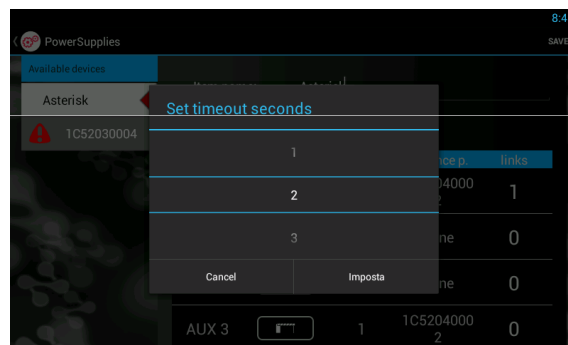
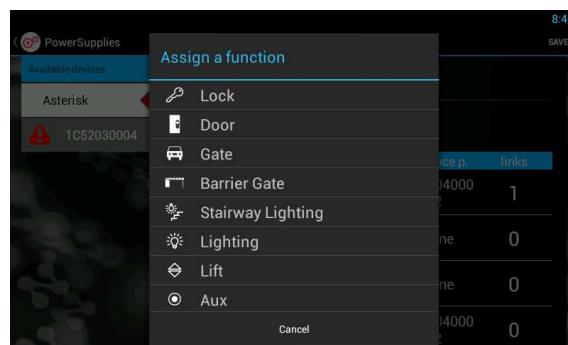
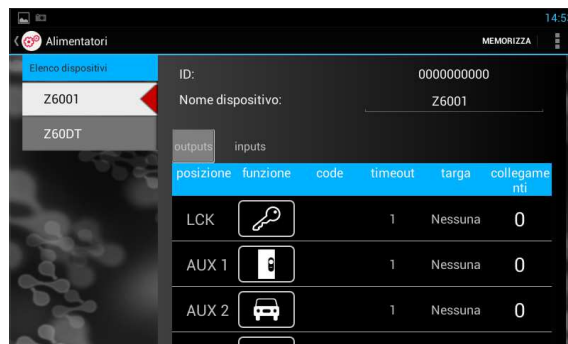
For example: LOCK type Z6001 (1) with LOCK type Z60DT (2).

When you press lock push button, will operate both entrance panel at same time by their respective power supplies.

INPUTS

Module type Z6001 receives the command from four N/O push button and when closing, they send the messages to output. (ex. Light stair push button)

INPUT CALL allows you to make a call from an entrance panel to an indoor video door phone.



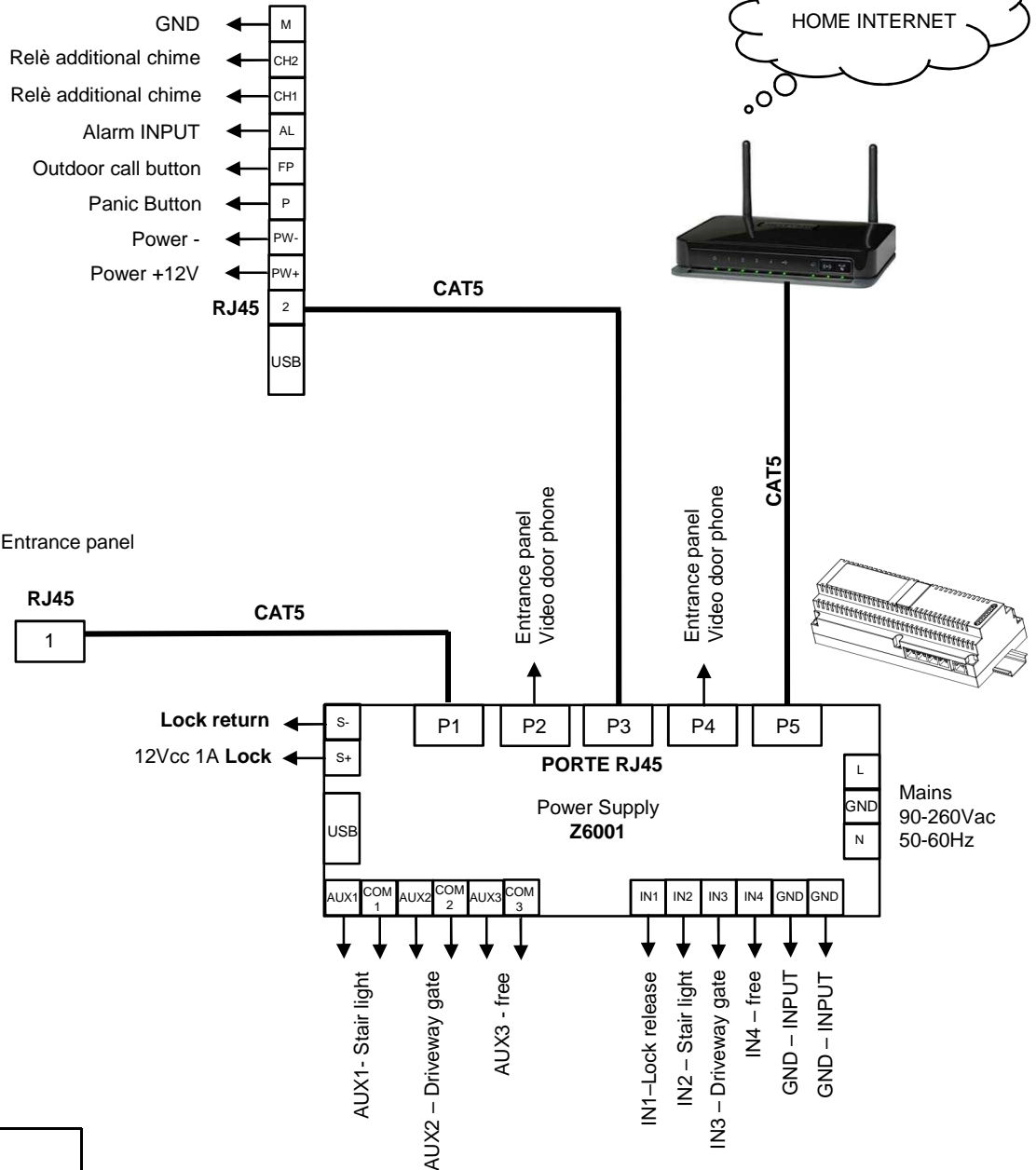
SAVE SETTINGS BEFORE YOU GET OUT OF SETUP

INFINITE PLAY

SINGLE RESIDENCE SYSTEM WITH 7" VIDEO DOOR PHONE AND ONE AUDIO-VIDEO ENTRANCE PANEL



Video door phone



Conductor section

Terminals	Up to 100mt
1,2,3,4,5	RJ45
Cable	CAT 5
Lock	1,5 mm ²
Other	1 mm ²

INFINITE PLAY

DOUBLE RESIDENCE SYSTEM WITH 7" VIDEO DOOR PHONE AND ONE AUDIO-VIDEO ENTRANCE PANEL



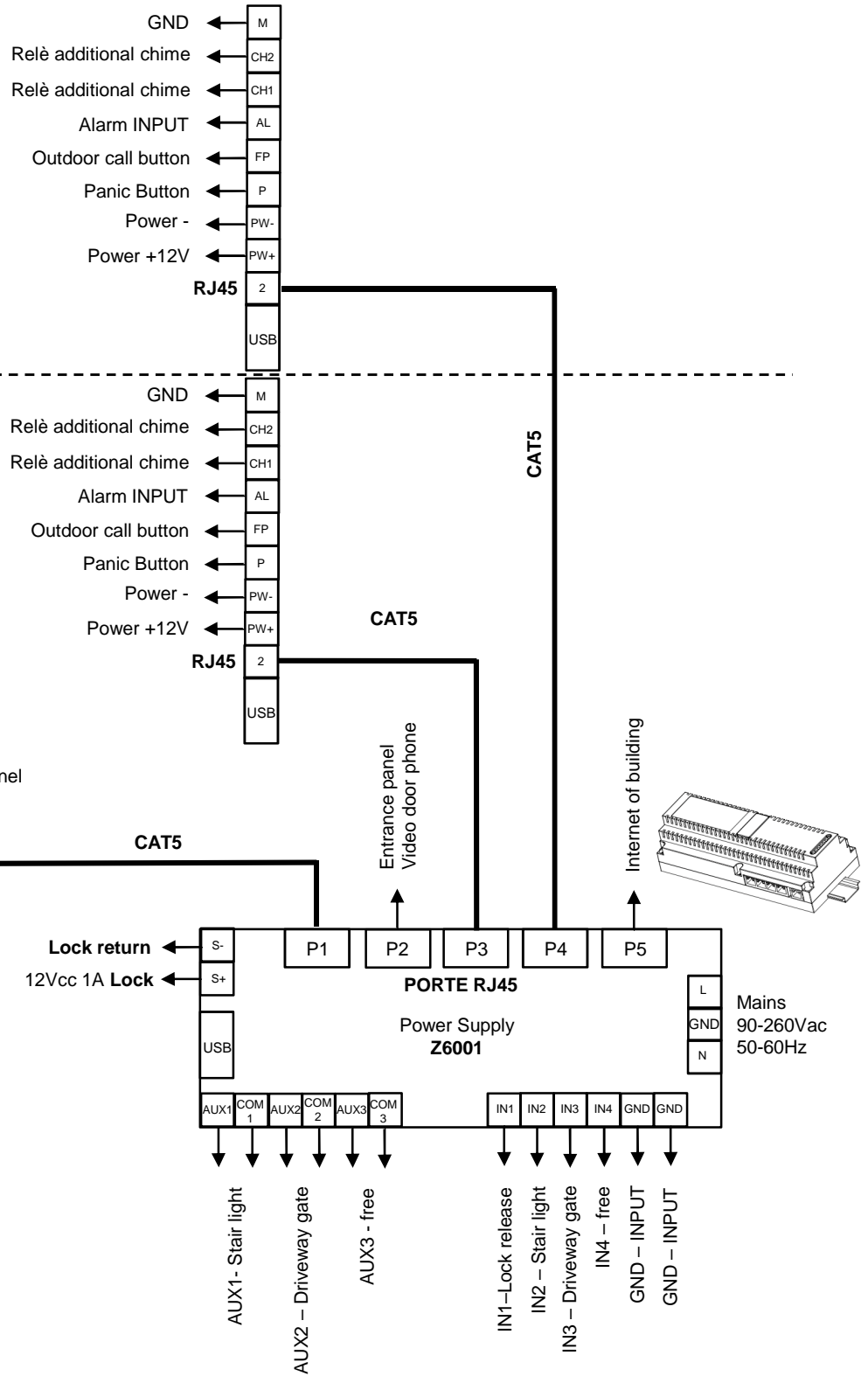
Video door phone 2



Video door phone 1



Entrance panel

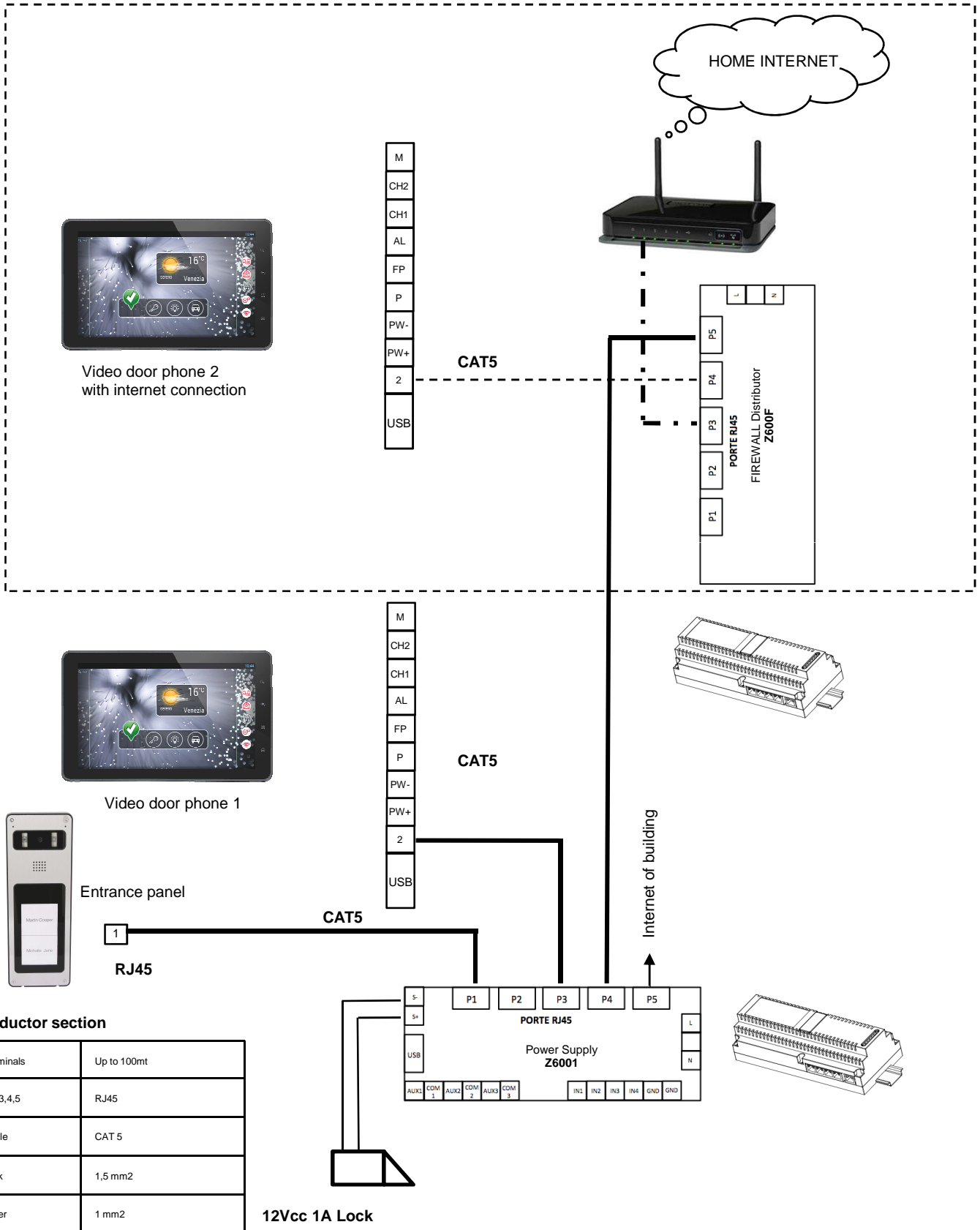


Conductor section

Terminals	Up to 100mt
1,2,3,4,5	RJ45
Cable	CAT 5
Lock	1,5 mm ²
Other	1 mm ²

INFINITE PLAY

DOUBLE RESIDENCE SYSTEM WITH 1 VIDEO DOOR PHONE, 2 VIDEO DOOR PHONES WITH INTERNET CONNECTION AND ONE AUDIO-VIDEO ENTRANCE PANEL WITH TWO PUSH BUTTONS



INFINITE PLAY

MULTIPLE RESIDENCE SYSTEM WITH ONE AUDIO-VIDEO ENTRANCE PANEL, POWER SUPPLY, DISTRIBUTOR AND 12 VIDEO DOOR PHONES



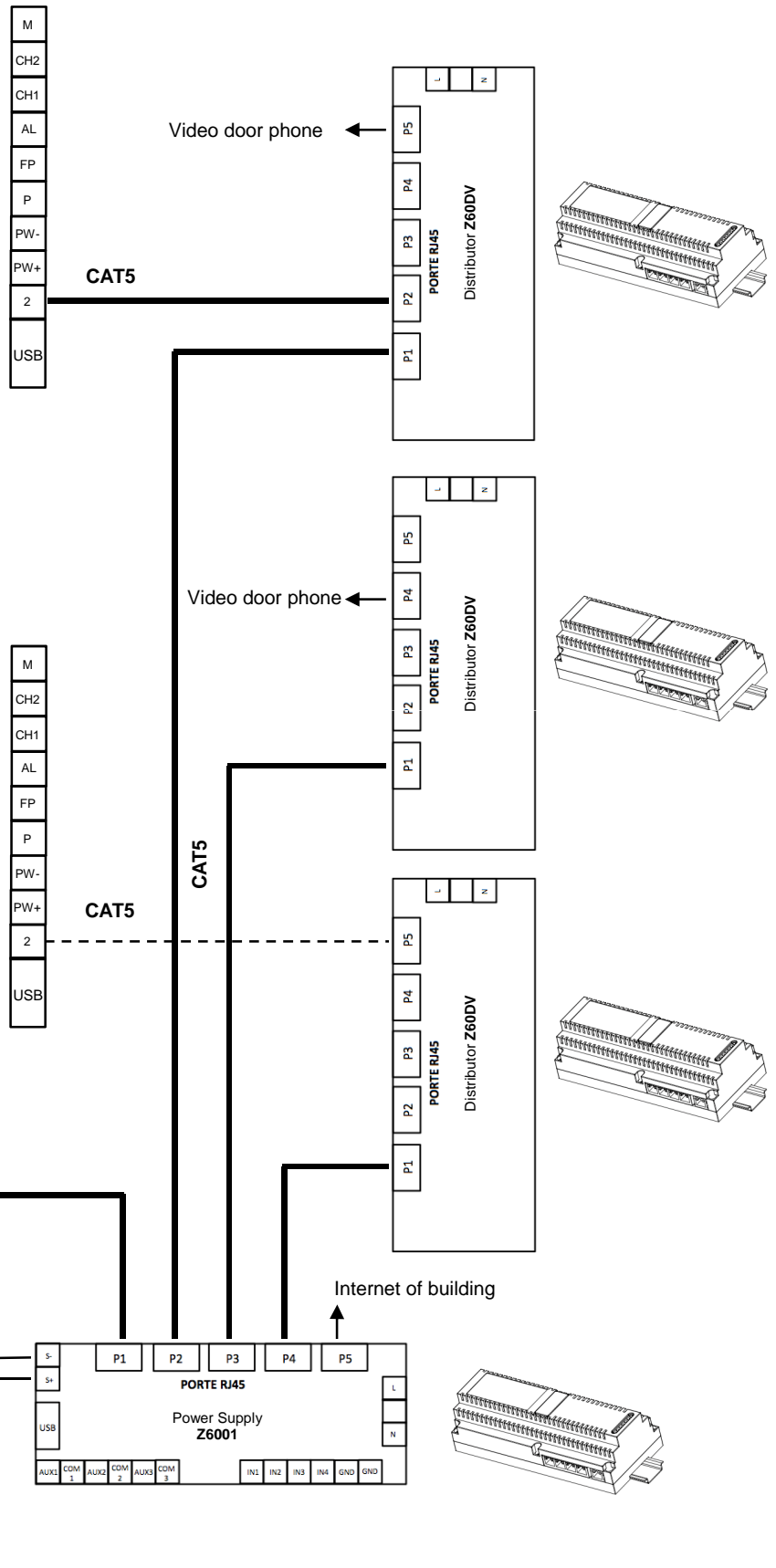
Video door phone



Video door phone



Entrance panel

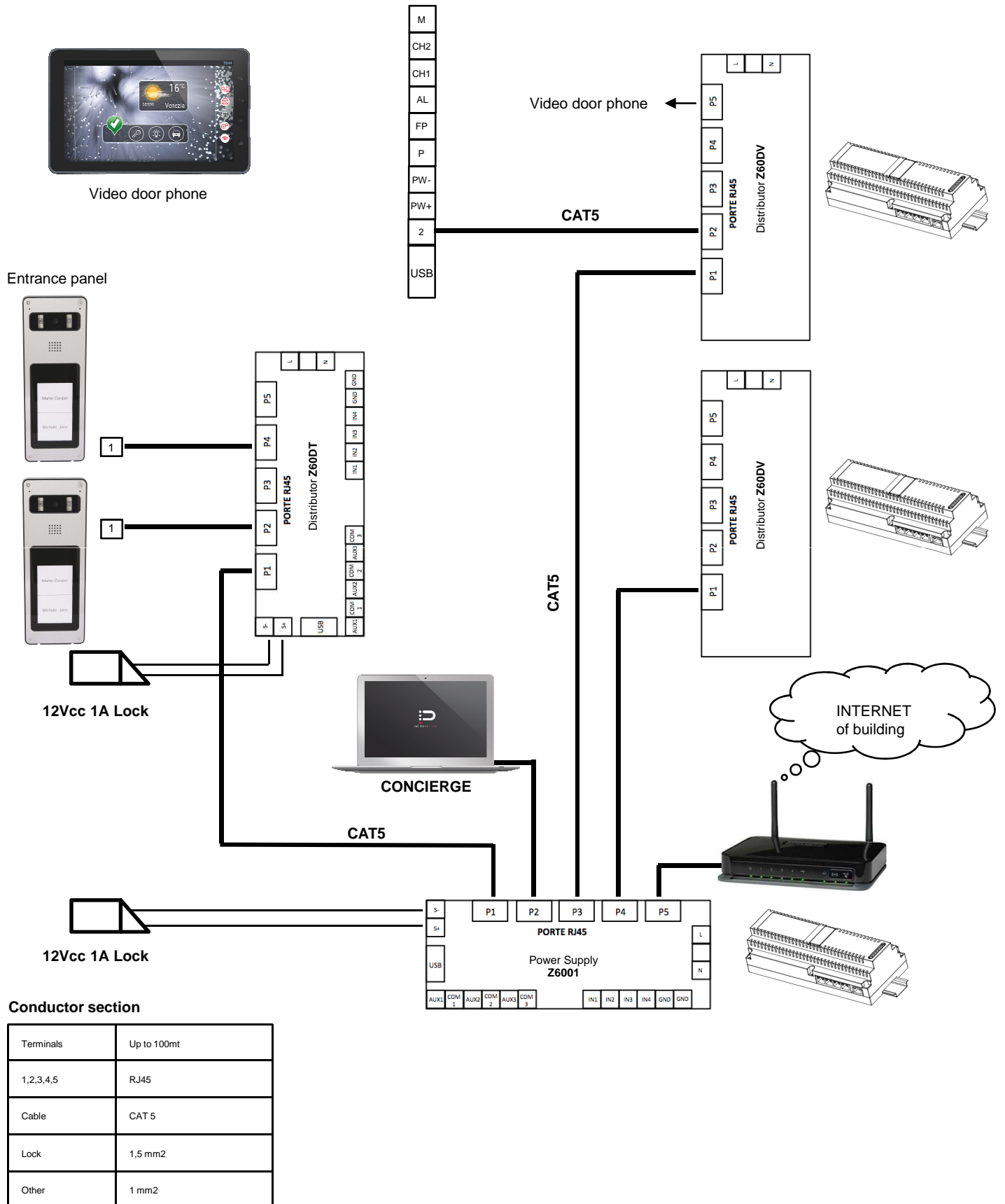


Conductor section

Terminals	Up to 100mt
1,2,3,4,5	RJ45
Cable	CAT 5
Lock	1,5 mm ²
Other	1 mm ²

INFINITE PLAY

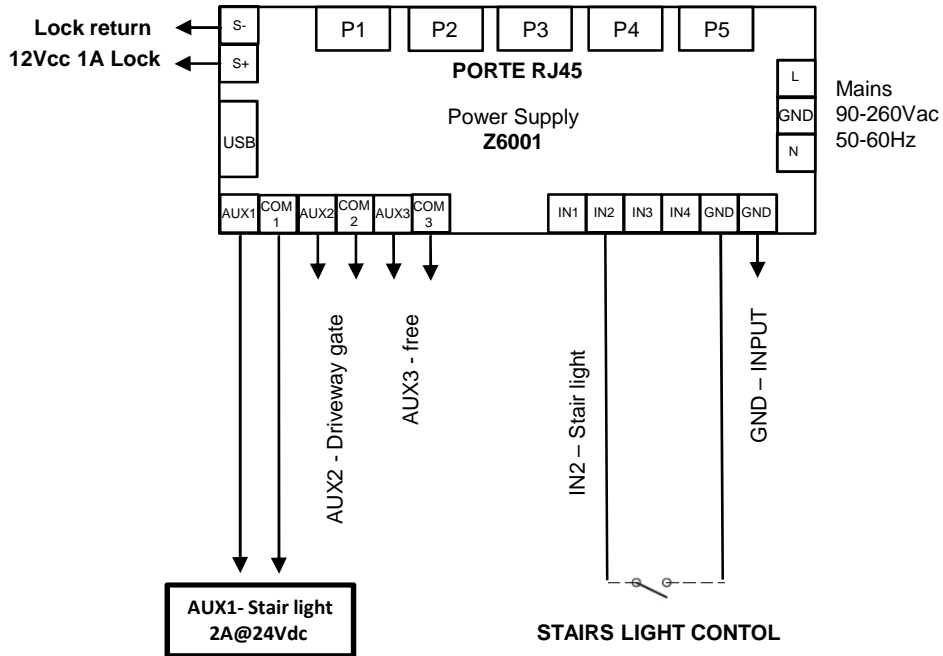
BUILDING COMPLEX SYSTEM WITH TWO AUDIO-VIDEO ENTRANCE PANELS, POWER SUPPLY, CONCIERGE STATION AND DISTRIBUTOR



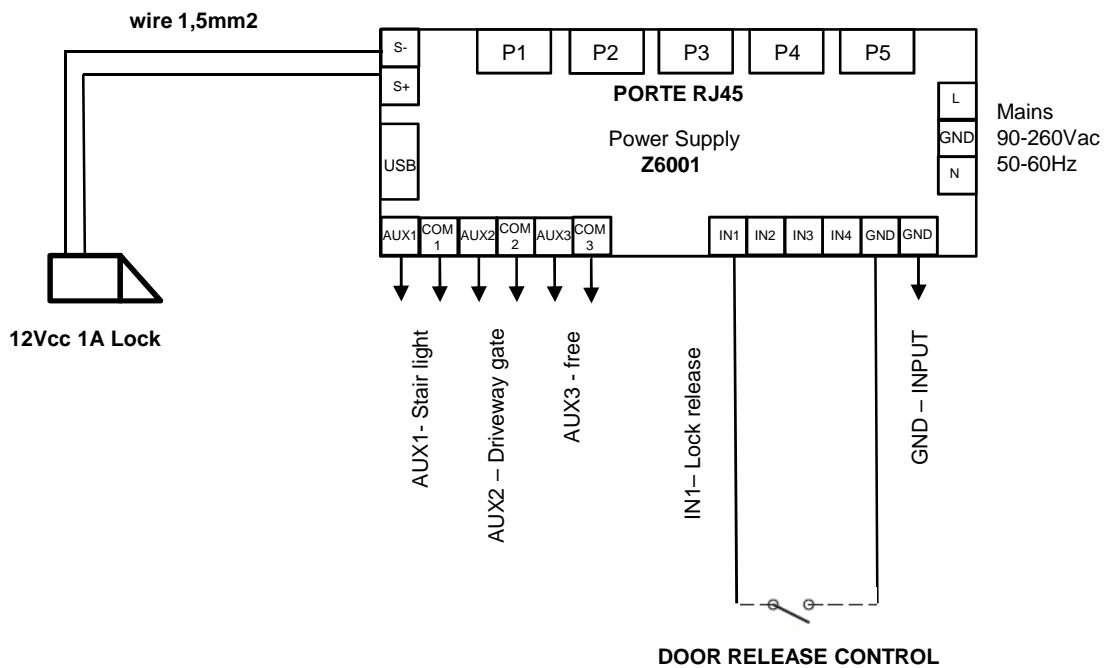
INFINITE PLAY

CONNECTION VARIANTS:

WIRING DIAGRAM DOOR RELEASE CONTROL



WIRING DIAGRAM DOOR RELEASE CONTROL





INFINITE PLAY

INSTALLATION NOTE :



INFINITE PLAY

INSTALLATION NOTE :



INFINITE PLAY

INSTALLATION NOTE :

INFINITE PLAY

Directive 2012/19/UE (WEEE)

The crossed-out wheelee bin symbol marked on the product indicates that the product must be assigned to a differentiated collection centre for electrical and electronic equipment or returned to the dealer to purchase a new product.

For further details regarding the collection systems available, contact your local waste disposal service.

The user is responsible for assigning the equipment purchased, to the appropriate collection facilities.

Risks connected to substances considered as dangerous (WEEE).

According to the WEEE Directive, these electrical and electronic products contain harmful substances for people and the environment.

It is obligatory treat the recycling of the materials in such way to avoid negative impacts on the environment and people's health.

Adaptation to current regulations allows a correct recycling of which the product is made.



SAFETY INSTRUCTIONS FOR INSTALLERS

This equipment is used in video door entry and home & building automation systems.

The instructions in this document provide important information about safety, installation, use and maintenance of the product.

Verify that the equipments are undamaged, after purchase.

The packaging contains potential dangerous sources for children (screws and dowels).

The installation must respect the current CEI regulations.

It is necessary to install to the power supply a protection bipolar type switch to video door entry system.

Before connecting this equipment verify the output voltage supplied from the distribution network.

Before performing maintenance operations, disconnect the device.

In case of failure or malfunction, disconnect the device and contact the technical assistance centre.

Do not obstruct opening of ventilation or heat exit slots.

The protection bipolar type switch must be located in the main framework of the House.

WARNING:

This equipment must be fixed to the wall according to the installation instructions.

This leaflet must always be attached to the system documentation.



Product is according to EMC Directive 2004/108/EC, LVD 2006/95/EC and RoHS 2011/65/EU.



This product is Listed by UL. Representative samples of this product have been evaluated by UL and meet applicable safety standards. Product is according to UL60950-1 2nd Edition + A1 + A2.

Product is according to IEC 60950-1 2nd Edition + A1 + A2.

*This device complies with part 15 of the FCC Rules. Operation is subject to the following two conditions:
(1) This device may not cause harmful interference, and
(2) this device must accept any interference received, including interference that may cause undesired operation.*

This Class[B] device complies with ICES-003 Issue 5.

CAN ICES-3 (B)/NMB-3(B)



INFINITEPLAY

InfinitePlay S.r.l.

Via Monte Grappa, 25
31020 Villorba (TV) ITALY
Tel. 0422 350680
Fax. 0422 446958
www.infiniteplay.com



ENG
18901064 – RL01 10 16
INFINITEPLAY - ITALY