

Z60DV-Z60DT

INFINITE PLAY

DESCRIPTION:

Type Z60DV is a floor distributor unit for video door phone INFINITEPLAY.
 Type Z60DT is a distributor unit for entrance panel and concierge station INFINITEPLAY.

Recommended the use of these cables, while respecting the CEI 64/8 for video door entry systems.

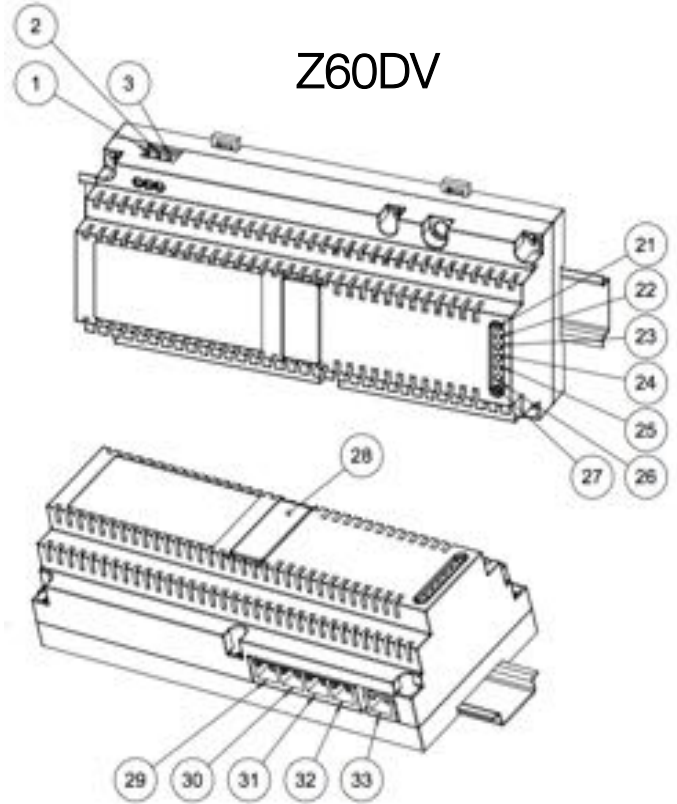
UTP CAT 5e for domestic routes dedicated to video door phone system

FTP CAT 5e shared routes with tension cables

UTP CAT 5e for outside with protective sheath in PVC

All cables LSZH for Low Smoke Zero Halogen

First to programming read the instructions carefully to get the full picture on the features, functions and performance.



Z60DV

POWER SUPPLY INSTALLATION ART. Z60DV – Z60DT

Mounting:

This device can be mounted on DIN rail cabinets equipped (12 DIN space modules)

Connect the power supply with a bipolar switch breaker

Terminal:

MORSETTO	DESCRIZIONE	SERIGRAFIA
1	AC-N 90-264Vac	N
2	TERRA-GROUND-GND	TERRA
3	AC-L 90-264Vac	L
4	INGRESSO 1	IN1
5	INGRESSO 2	IN2
6	INGRESSO 3	IN3
7	INGRESSO 4	IN4
8	GND for INPUT 1-2-3-4	GND
9	GND for INPUT 1-2-3-4	GND
10	RELE' AUX1 (2A@24Vdc)	AUX1
11	COMUNE 1	C1
12	RELE' AUX2 (2A@24Vdc)	AUX2
13	COMUNE 2	C2
14	RELE' AUX3 (2A@24Vdc)	AUX3
15	COMUNE 3	C3
16	COMUNE SERRATURA	S-
17	COMUNE SERRATURA	S-
18	12Vdc 1A SERRATURA	S+
19	USB 2.0	USB
20	RS232 PORT	RS232
21	POWER INDICAZIONE LED	POWER
22	LED POE PORTA 1	P1
23	LED POE PORTA 2	P2
24	LED POE PORTA 3	P3
25	LED POE PORTA 4	P4
26	LED POE PORTA 5	P5
27	LED RGB INDICAZIONE DI STATO	STATUS
28	PLUG MODULO ESPANSIONE	
29	PORTA 1 10/100Mbps	P1
30	PORTA 2 10/100Mbps	P2
31	PORTA 3 10/100Mbps	P3
32	PORTA 4 10/100Mbps	P4
33	PORTA 5 10/100Mbps	P5

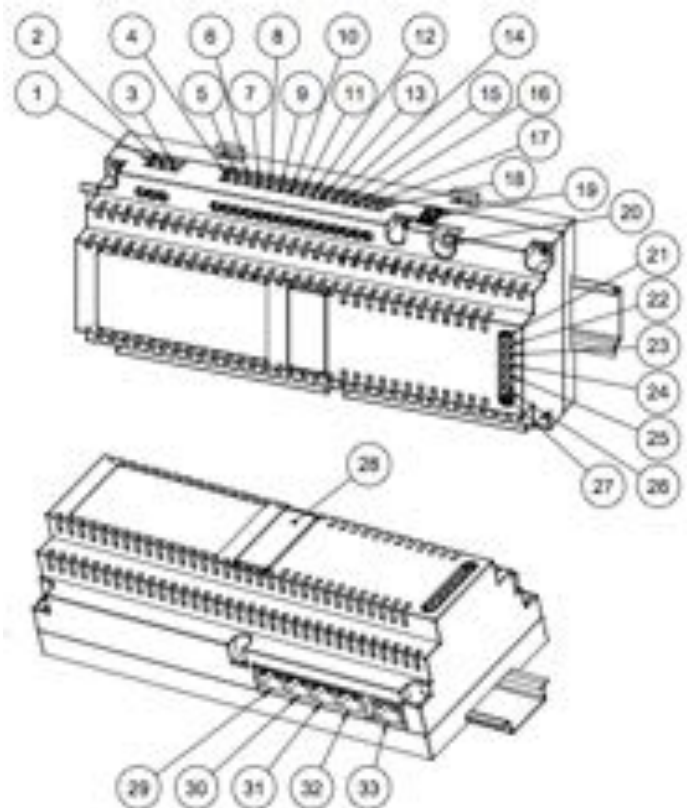
TECHNICAL CHARACTERISTICS:

Polymer housing ABS V0

Supply Voltage 90V - 260V the AC 50-60 Hz

Operating temperature 0 °C to +45 °C

Size 208x89x60 mm.



Z60DT

INFINITE PLAY

RJ45 PORTS DESCRIPTION FOR VIDEO DOOR ENTRY SYSTEM CONNECTION

MAIN POWER SUPPLY ART. **Z6001**

Power supply unit PoE for villa or building video door entry system

RJ45 ports:

P1-P2-P3-P4 Dedicated to connecting ENTRANCE PANEL or VIDEO DOOR PHONE

P5 is dedicated to connecting of ROUTER for INTERNET

MAIN POWER SUPPLY ART. **Z6002**

Power supply unit PoE for four family video door entry system

RJ45 ports:

P1-P2-P3-P4-P5 Dedicated to connecting ENTRANCE PANEL or VIDEO DOOR PHONE

DISTRIBUTOR ON LANDING ART. **Z60DV**

Need to distribute of VIDEO DOOR PHONE

RJ45 ports:

P1-P2-P3-P4-P5 Dedicated to the connection of VIDEO DOOR PHONE

DISTRIBUTOR ART. **Z60DT**

Need to distribute of ENTRANCE PANEL or CONCIERGE STATION

RJ45 ports:

P1-P2-P3-P4-P5 Dedicated to the connection of a ENTRANCE PANEL or CONCIERGE STATION

FIREWALL ART. **Z600F**

If you need to connect to the internet in one of the houses is necessary to insert an internal distributor 4 outputs FIREWALL Art.Z600F (attached diagram)

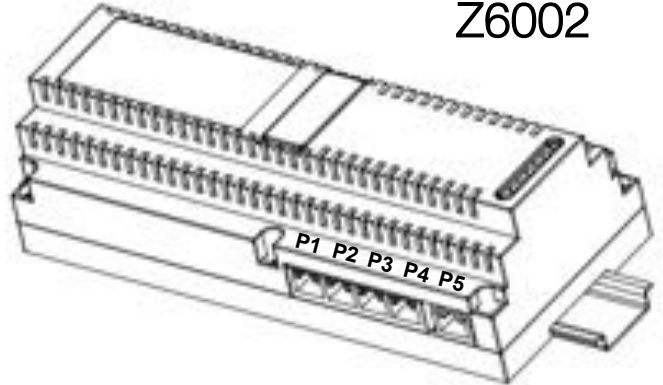
RJ45 ports:

P1-P2-P3-P4 Dedicated to the connection of ENTRANCE PANEL, VIDEO DOOR PHONE and ROUTER for INTERNET

P5 Input connection to backbone

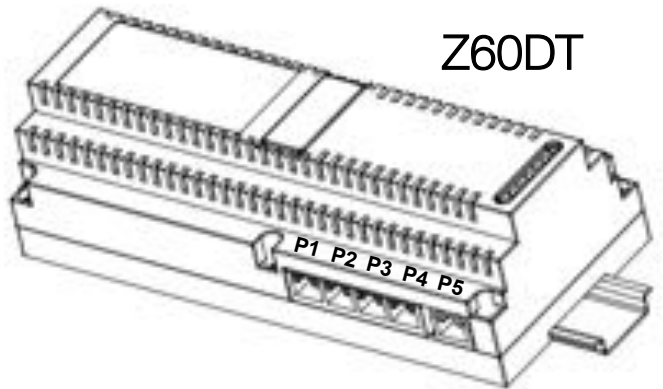
Z6001

Z6002

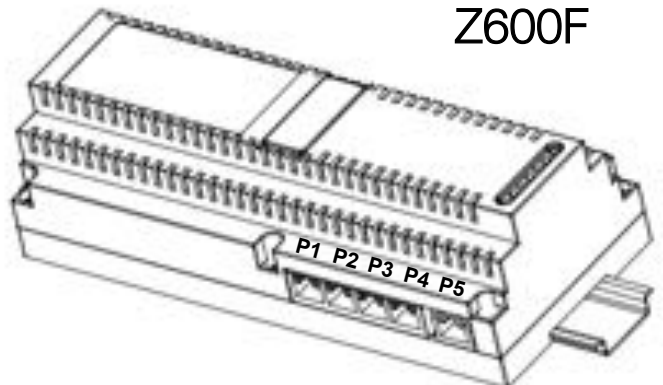


Z60DV

Z60DT



Z600F



INFINITE PLAY

MATERIAL NEEDED:

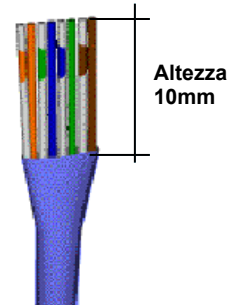
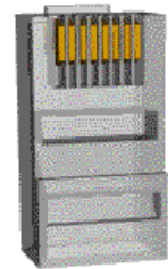
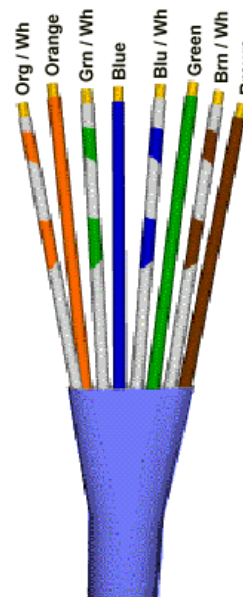
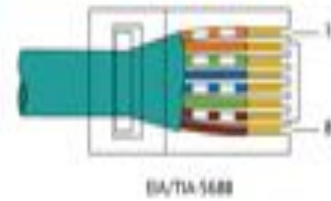
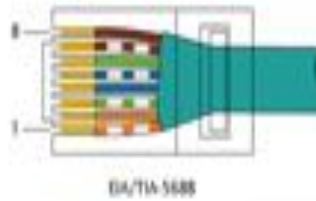
- 1 skein of CAT5 Ethernet cable
- Connectors RJ45 plug
- 1 scissor
- 1 crimping tool 8-pin
- Recommended a tester for checking LAN cables

MAKE A STRAIGHT CABLE

PIN	Code color T568B
1	 White orange
2	 Orange
3	 White green
4	 Blue
5	 White blue
6	 Green
7	 White brown
8	 Brown

PROCEDURE:

- 1) SKINNING CABLE (25-30 mm)
- 2) ORDER cable as shown and line-up , cutting the connectors with scissors at the same height (about 10mm)
- 3) INSERT THE CABLE IN CONNECTOR RJ45 as shown in figure
- 4) CRIMPING WIRE with clamp
- 5) FINAL CHECK OPERATION with tester



INFINITE PLAY

3. POWER SUPPLY

A video door phone INFINITEPLAY system can contain only one server SIP Z6001 and several distributors Z60DT

IDENTIFICATION NUMBER = 0000000000

DEVICE NAME: es: Z6001 Main electrical panel

OUTPUT

FUNCTION:

To be assign one of the following functions that appear in the video intercom. If you have an "X" the function is disabled.

CODE:

You can assign an identification number to each OUTPUT activated by outdoor unit with display. code set preceded by # symbol (eg. # 123)

TIMEOUT:

The time of OUTPUT can be programmed

TIME LOCK: (from 1 to 30s) default value 1s

TIME AUX1: (from 1 to 30s) default value 1s

TIME AUX2: (from 1 to 30s) default value 1s

TIME AUX3: (from 1 to 30s) default value 1s

ENTRANCE PANEL:

Through "entrance panel" binds the selected function to one or more entrance panel present in the system.

To a call from entrance panel will be displayed one priority function.

LINK:

This parameter enables indirect opening of the lock, at the same time as the opening of the lock of another entrance panel, at the command of an interphone/monitor interphone. Indirect opening can be associated with different entrance panels.

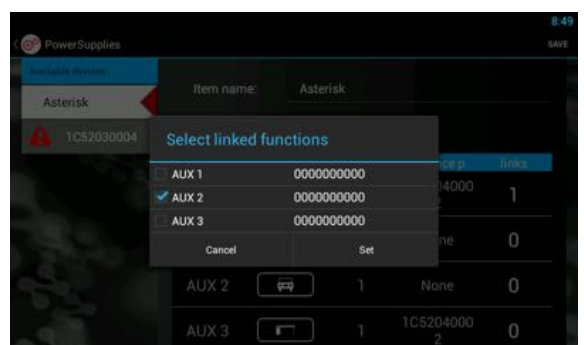
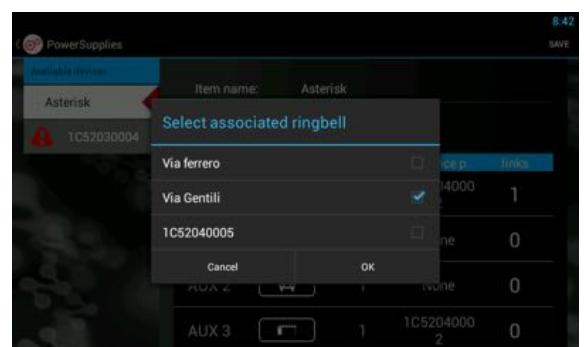
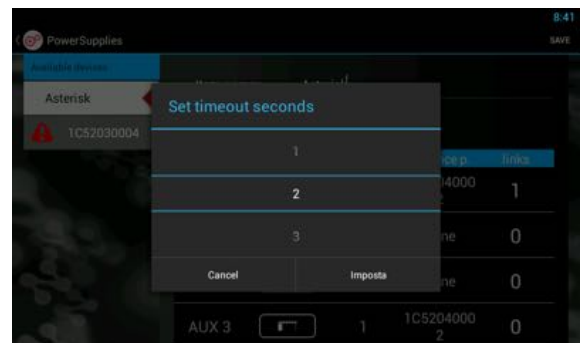
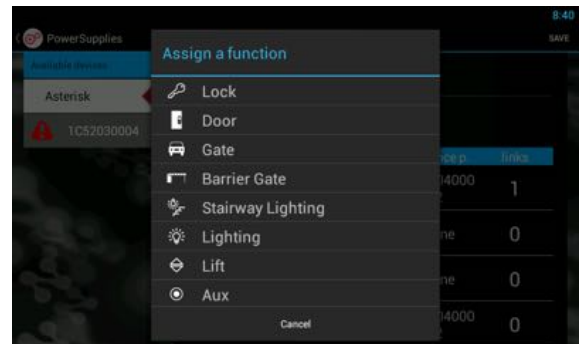
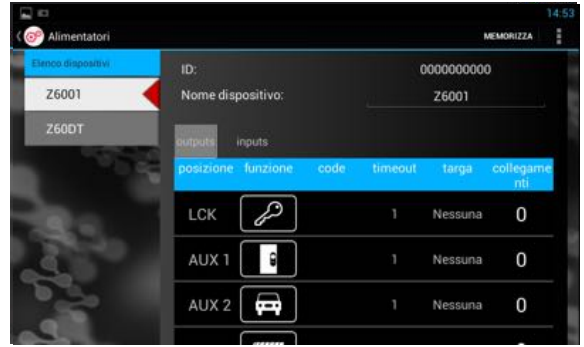
For example: LOCK type Z6001 (1) with LOCK type Z60DT (2).

When you press lock push button, will operate both entrance panel at same time by their respective power supplies.

INPUTS

Module type Z6001 receives the command from four N/O push button and when closing, they send the messages to output. (ex. Light stair push button)

INPUT CALL allows you to make a call from an entrance panel to an indoor video door phone.



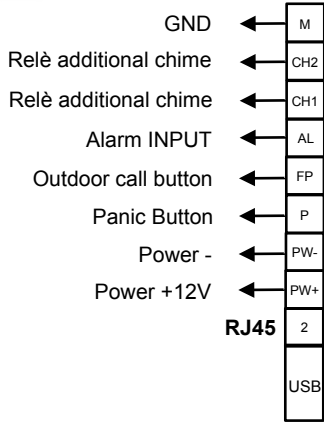
SAVE SETTINGS BEFORE YOU GET OUT OF SETUP

INFINITE PLAY

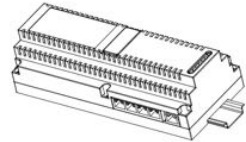
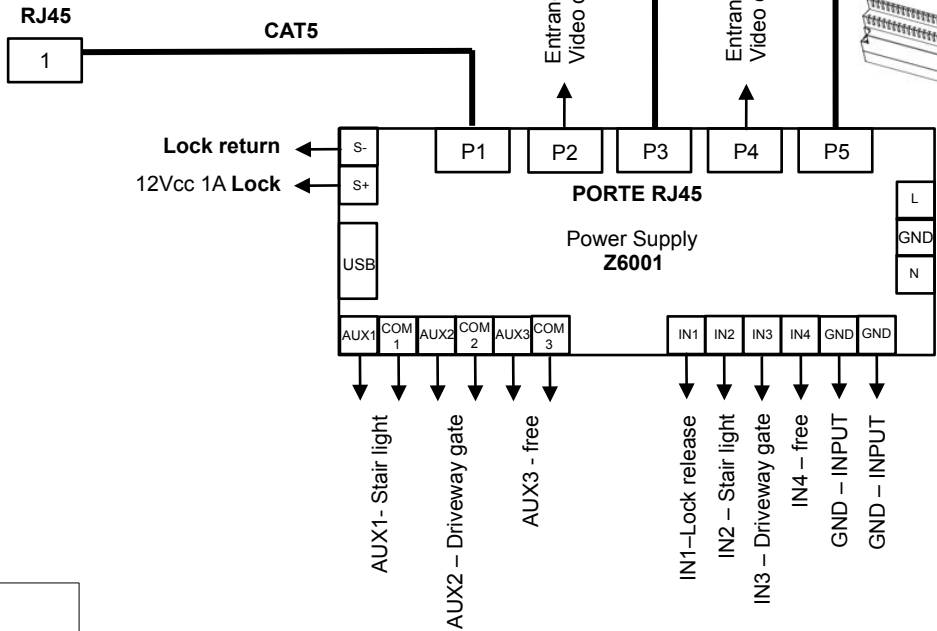
SINGLE RESIDENCE SYSTEM WITH 7" VIDEO DOOR PHONE AND ONE AUDIO-VIDEO ENTRANCE PANEL



Video door phone



Entrance panel



Conductor section

Terminals	Up to 100mt
1,2,3,4,5	RJ45
Cable	CAT 5
Lock	1,5 mm2
Other	1 mm2

INFINITE PLAY

DOUBLE RESIDENCE SYSTEM WITH 7" VIDEO DOOR PHONE AND ONE AUDIO-VIDEO ENTRANCE PANEL



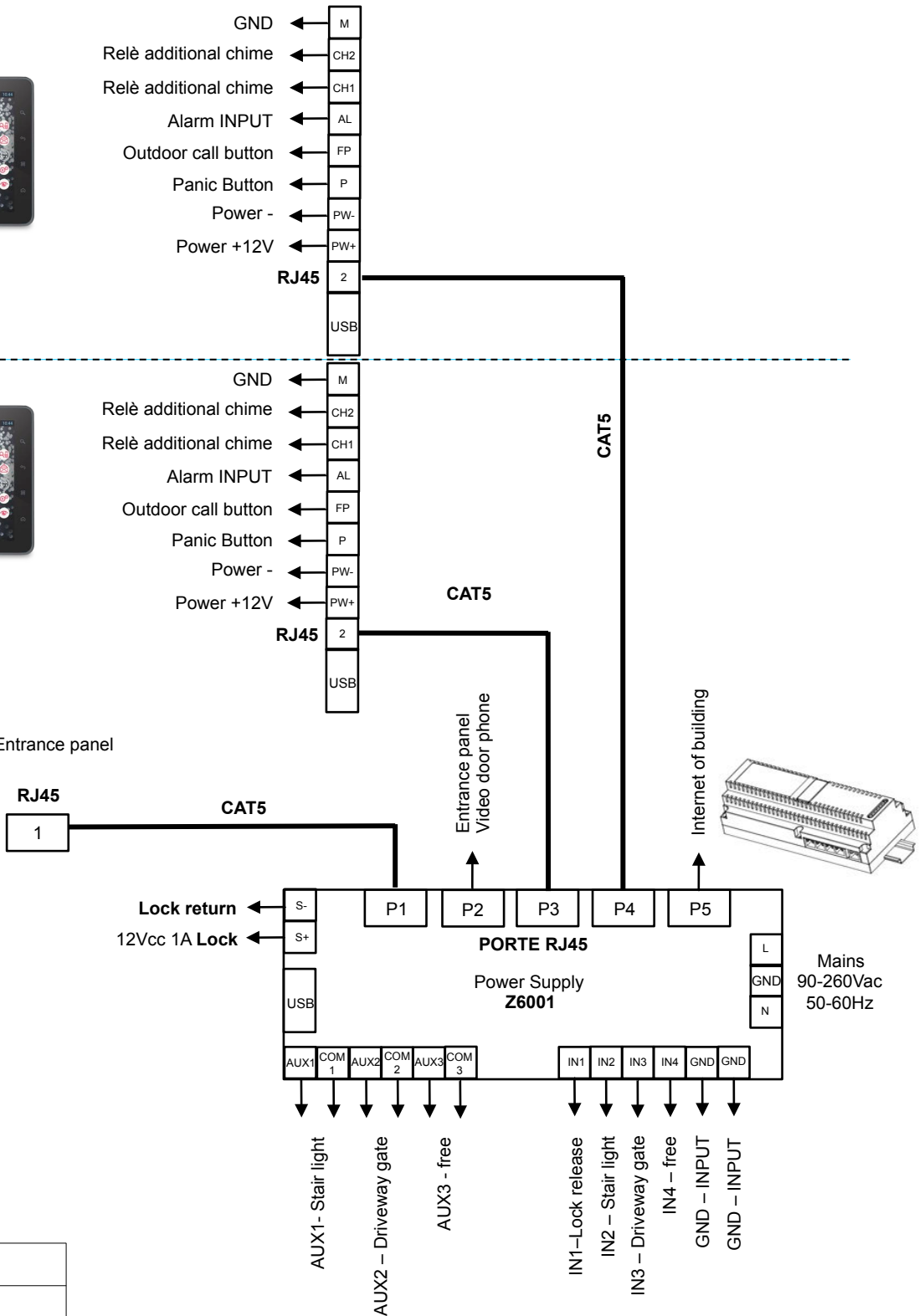
Video door phone 2



Video door phone 1



Entrance panel

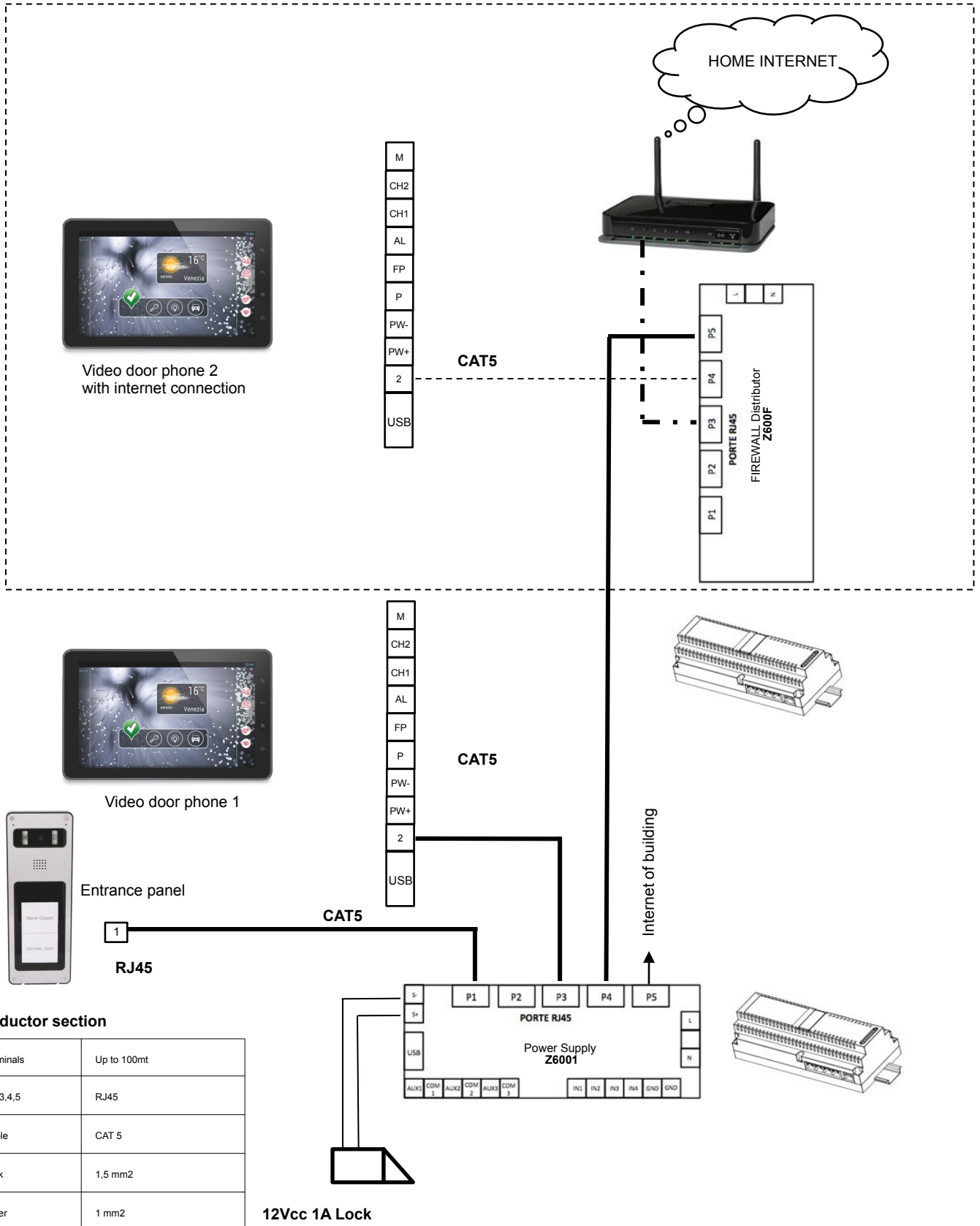


Conductor section

Terminals	Up to 100mt
1,2,3,4,5	RJ45
Cable	CAT 5
Lock	1,5 mm2
Other	1 mm2

INFINITE PLAY

DOUBLE RESIDENCE SYSTEM WITH 1 VIDEO DOOR PHONE, 2 VIDEO DOOR PHONES WITH INTERNET CONNECTION AND ONE AUDIO-VIDEO ENTRANCE PANEL WITH TWO PUSH BUTTONS



INFINITE PLAY

MULTIPLE RESIDENCE SYSTEM WITH ONE AUDIO-VIDEO ENTRANCE PANEL, POWER SUPPLY, DISTRIBUTOR AND 12 VIDEO DOOR PHONES



Video door phone

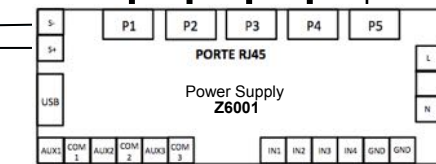


Video door phone

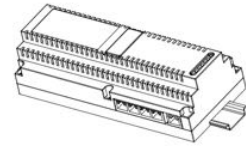
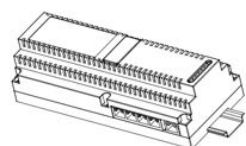
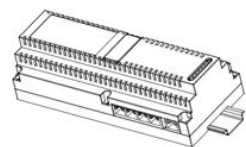
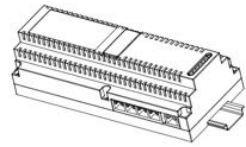
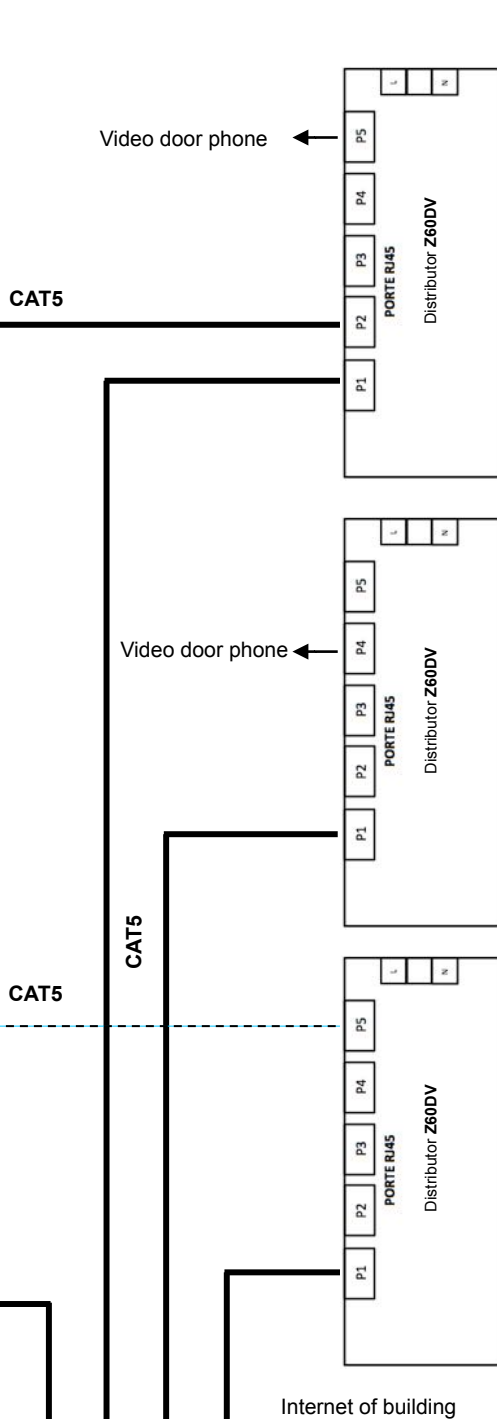


Entrance panel

1
RJ45



12Vcc 1A Lock



Conductor section

Terminals	Up to 100mt
1,2,3,4,5	RJ45
Cable	CAT 5
Lock	1,5 mm2
Other	1 mm2

INFINITE PLAY

BUILDING COMPLEX SYSTEM WITH TWO AUDIO-VIDEO ENTRANCE PANELS, POWER SUPPLY, CONCIERGE STATION AND DISTRIBUTOR



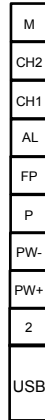
Video door phone

Entrance panel



12Vcc 1A Lock

12Vcc 1A Lock



Video door phone

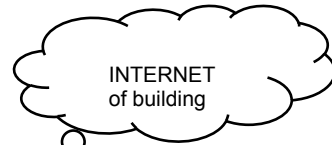
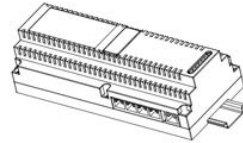
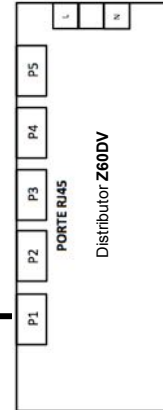
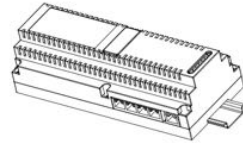
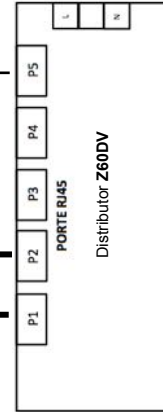
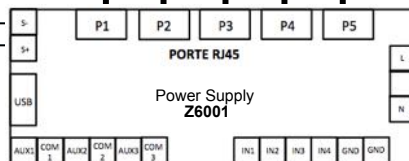
CAT5

CAT5



CONCIERGE

CAT5



INTERNET of building

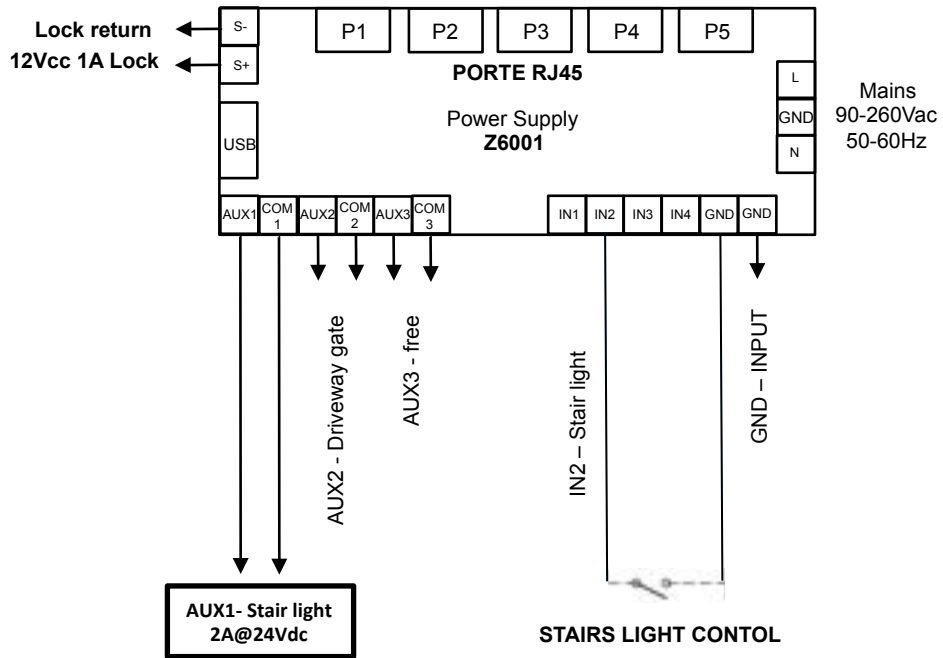
Conductor section

Terminals	Up to 100mt
1,2,3,4,5	RJ45
Cable	CAT 5
Lock	1,5 mm2
Other	1 mm2

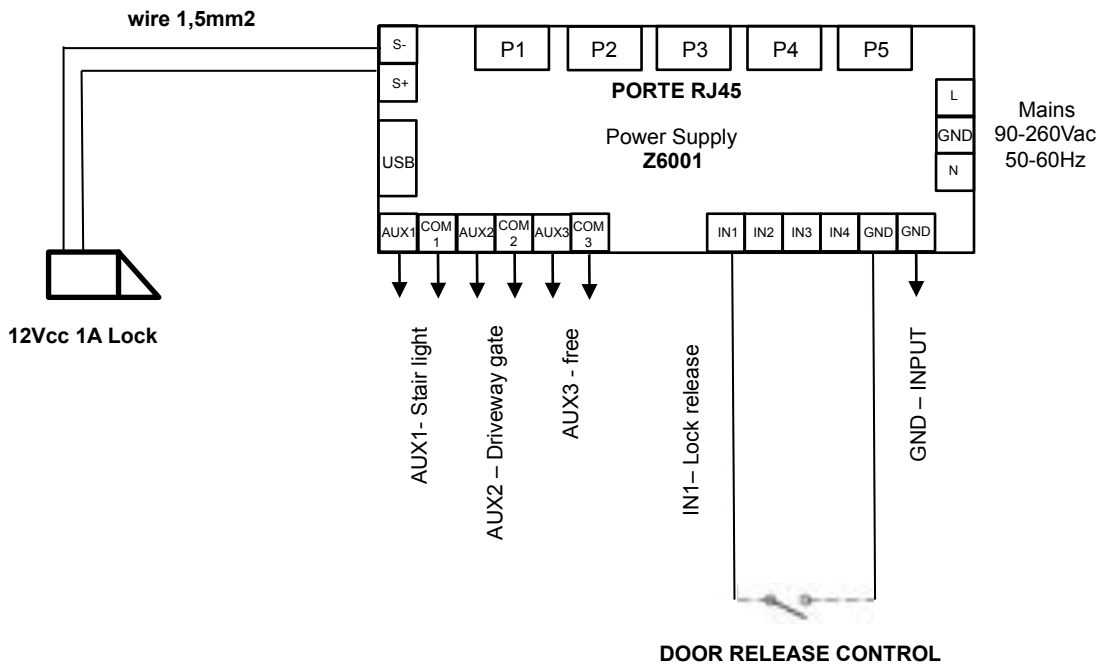
INFINITE PLAY

CONNECTION VARIANTS:

WIRING DIAGRAM DOOR RELESE CONTROL



WIRING DIAGRAM DOOR RELESE CONTROL





INFINITE PLAY

INSTALLATION NOTE :



INFINITE PLAY

INSTALLATION NOTE :



INFINITE PLAY

INSTALLATION NOTE :

INFINITE PLAY

Directive 2012/19/UE (WEEE)

The crossed-out wheelee bin symbol marked on the product indicates that the product must be assigned to a differentiated collection centre for electrical and electronic equipment or returned to the dealer to purchase a new product.

For further details regarding the collection systems available, contact your local waste disposal service.

The user is responsible for assigning the equipment purchased, to the appropriate collection facilities.

Risks connected to substances considered as dangerous (WEEE).

According to the WEEE Directive, these electrical and electronic products contain harmful substances for people and the environment.

It is obligatory treat the recycling of the materials in such way to avoid negative impacts on the environment and people's health.

Adaptation to current regulations allows a correct recycling of which the product is made.



SAFETY INSTRUCTIONS FOR INSTALLERS

This equipment is used in video door entry and home & building automation systems.

The instructions in this document provide important information about safety, installation, use and maintenance of the product.

Verify that the equipments are undamaged, after purchase.

The packaging contains potential dangerous sources for children (screws and dowels).

The installation must respect the current CEI regulations.

It is necessary to install to the power supply a protection bipolar type switch to video door entry system.

Before connecting this equipment verify the output voltage supplied from the distribution network.

Before performing maintenance operations, disconnect the device.

In case of failure or malfunction, disconnect the device and contact the technical assistance centre.

Do not obstruct opening of ventilation or heat exit slots.

The protection bipolar type switch must be located in the main framework of the House.

WARNING:

This equipment must be fixed to the wall according to the installation instructions.

This leaflet must always be attached to the system documentation.



Product is according to EC Directive 2004/108/EC, 2006/95/EC and following norms.



INFINITEPLAY

Via Monte Grappa, 25
31020 Villorba (TV) ITALY
Tel. 0422 350680
Fax. 0422 446958
www.infiniteplay.com



ENG
18901005 - RL00 01 14
INFINITEPLAY - ITALY